



USER'S MANUAL / MANUEL D'UTILISATION

# Windmaster 500

Grid connected wind inverter / Convertisseur pour éolienne à connexion réseau

**This product must be protected externally against over voltages that may occur in no-load and / or extreme wind conditions. Failure to do so may cause serious damage to the inverter and will void product warranty.**

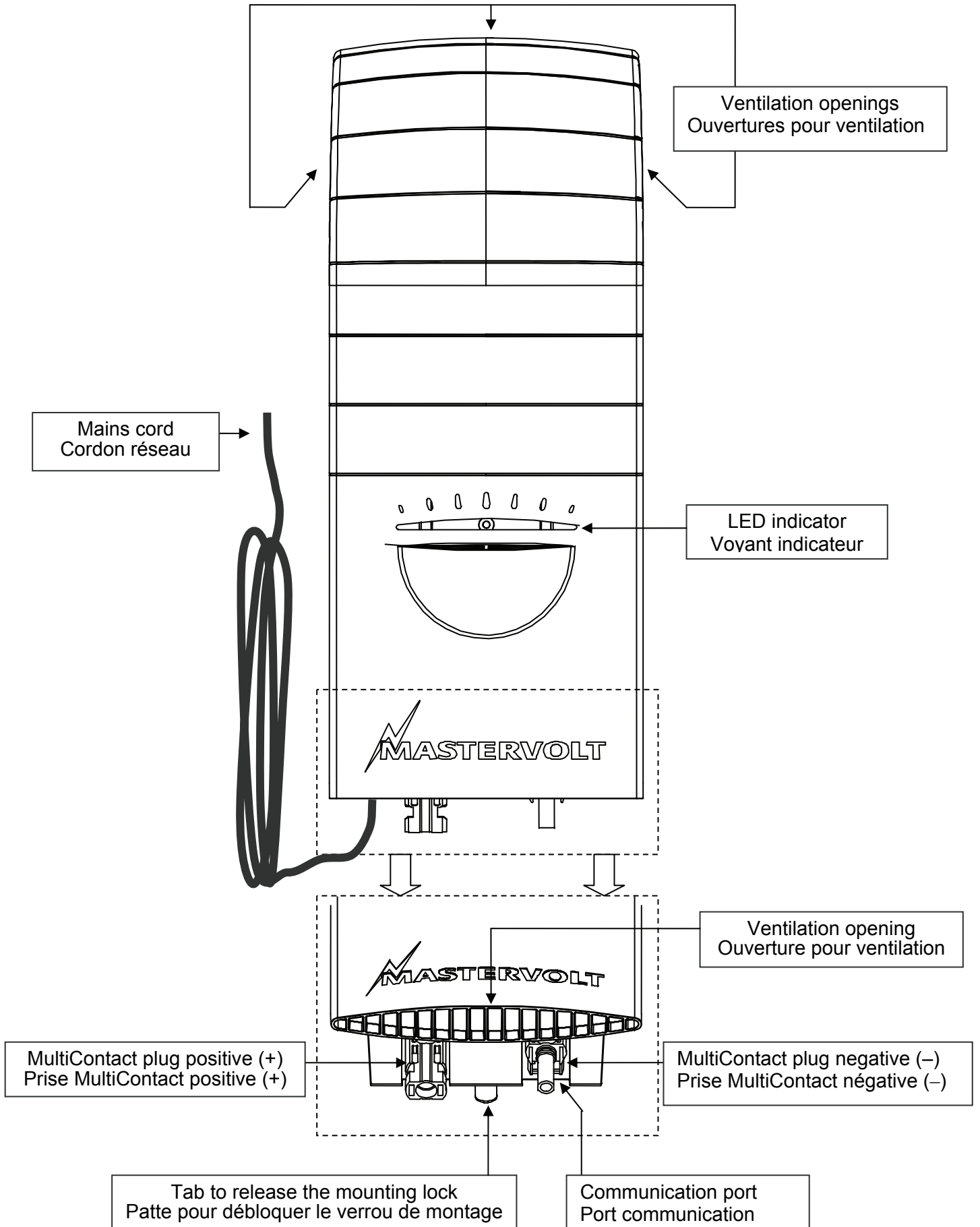
**Ce produit doit être protégé contre des surtensions pouvant se produire en cas de vent fort ou s'il n'est pas connecté. Si ces conditions ne sont pas respectées, le convertisseur peut être sérieusement endommagé et la garantie serait annulée.**



MASTERVOLT  
Snijdersbergweg 93, 1105 AN Amsterdam  
The Netherlands  
Tel.: +31-20-342 21 00  
Fax: +31-20-697 10 06  
[www.mastervolt.com](http://www.mastervolt.com)



# WINDMASTER 500



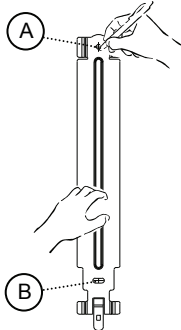
# INSTALLATION

1



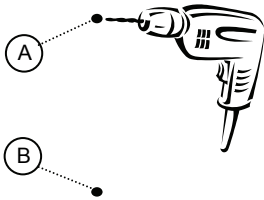
- Read instructions on page 5 - 8 prior to installation.
- Lire les instructions pages 5 à 8 avant l'installation.

2



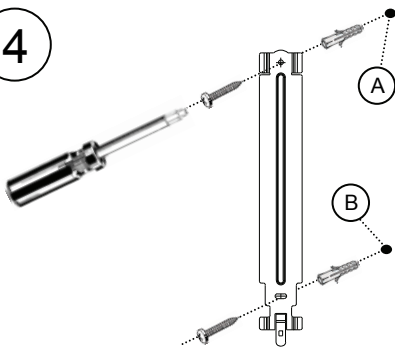
- Mark the position of the two mounting spots A and B by using the mounting bracket.
- Marquer les deux points d'installation A et B à l'aide du support.

3



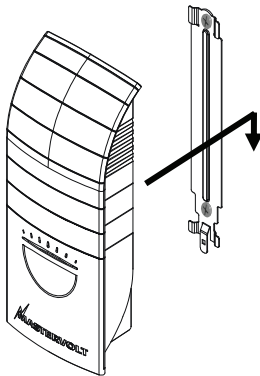
- If necessary, drill mounting holes at spots A and B.
- Si nécessaire, percer des trous de montage aux points A et B.

4



- Fix the mounting bracket to the wall.
- Fixer le support au mur.

5

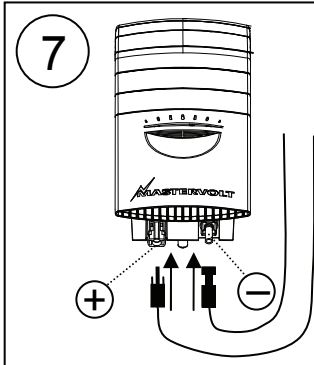


- Place the Windmaster 500 over the mounting bracket and then move it downwards until it is locked by the mounting bracket.
- Placer le Windmaster 500 sur le support de montage et le faire glisser vers le bas jusqu'à ce qu'il soit bien positionné.

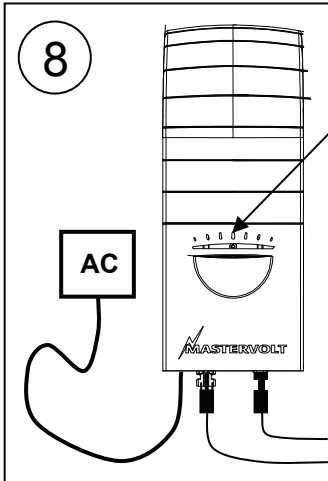
6

- Check whether the Windmaster 500 is mounted in a secure way.
- Vérifier que le Windmaster soit monté d'une manière sécurisée.

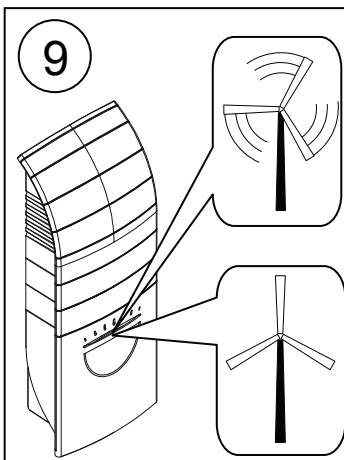
## INSTALLATION



- Connect the string cabling to the Windmaster 500. If wind power is sufficient, the LED indicator will illuminate red.
- Connecter le câble au Windmaster 500. Si le vent n'est pas suffisamment fort, l'indicateur s'allume en rouge.



- Connect mains cord to the AC-wiring. Then switch on the grid. If wind power is sufficient, the LED-indicator starts blinking red: the Windmaster 500 is starting up. This may last a few seconds.
- Connecter le cordon réseau au CA. Allumer ensuite le réseau. Si le vent est suffisamment fort, l'indicateur clignote en rouge : le Windmaster 500 se met en marche. Ceci peut durer quelques secondes.



- After starting up, the LED-indicator starts blinking yellow.
- Après le démarrage, l'indicateur clignote en jaune.
- If wind power is too low, the indicator will extinguish
- Si le vent n'est pas suffisamment fort, l'indicateur s'éteint.

### Product description and application

Congratulations for choosing the Mastervolt Windmaster 500. The Windmaster 500 is a inverter for grid connection of small wind turbines. The design is based on the successful Soladin 600 Solar inverter. Windmaster 500 is an "OEM" product and is sold as a part of a system through selected system vendor. The product is to be installed only with selected wind turbines. A system is evaluation by Mastervolt is part of the qualification process.

### Unpacking

The delivery consists of the following parts:

- The Windmaster 500 with mounting bracket;
- This user's manual;
- MultiContact "Pigtail" adapters (2x);
- Windmaster 500 PC-Link.

After unpacking, check the Windmaster 500 for possible damage. Do not use the Windmaster 500 if it is damaged. If in doubt, contact your system vendor.

**Safety**

Max Input Voltage	150 V
Max Input Current	8 A
Nom Input Power	550 Wdc
Max Short Circuit	12 A

- Contact an installer if the wind system does not comply with the stipulations mentioned above. Due to possible high voltages installation and modification may only be carried out by a qualified electrician who is familiar applicable regulations and standards.
- Install the Windmaster 500 according to the instructions stated in this manual.
- Be sure that the Windmaster 500 is disconnected from the grid during installation. This can be done by removing the fuse of the corresponding branch circuit at the AC distribution board.
- Connections and safety features must be executed according to the locally applicable regulations.
- The Windmaster 500 must be used in accordance with the specifications as stated on page 14.
- Never open the housing as high voltages may be present inside!

**Choosing the location to install**

Obey the following stipulations during installation:

- The Windmaster 500 is suited for indoor use only.
- Ambient temperature: -20 ... 50°C; (power derating above 40°C), Humidity: 0-90% non condensing.
- Choose an optimal location to avoid long DC and / or AC wiring and minimize energy loss.
- Do not install the Windmaster 500 in environments with heavy dust development or humidity.
- If the Windmaster 500 is installed in the immediate vicinity of living areas, take into account that it produces a slight noise level when operating.
- Mount the Windmaster 500 vertically on a solid, non-resonating, wall.
- Mount the Windmaster 500 in such a way that obstruction of the airflow through the ventilation openings is prevented.
- No objects must be located within a distance of 20 cm around the Windmaster 500.
- Multiple Windmaster 500 may be mounted next to each other, not above each other. Minimum spacing: 20 cm.

**Things you need to install the Windmaster 500**

Make sure you have all the parts you need to install the Windmaster 500:

- The Windmaster 500;
- Two screws (with plugs) to mount the Windmaster 500. Maximum diameter: 4.5 mm. Use mounting materials which are suitable to carry the weight of the Windmaster 500;
- Tools to fix the screws / bolts with plugs into the wall (screwdriver, drilling machine, a set of drills, a pencil).

**Directions for installation**

The Windmaster 500 is equipped with a so called "anti-islanding safety device". It ensures immediate switch off in case of grid failure. European countries maintain different regulations with regard to anti-islanding devices and the supply of energy back to the utility grid in general.

In some countries one single Windmaster 500 may be connected to an existing electricity branch circuit which is fused with 16 Amp. In other countries different restrictions apply. Please acquaint yourself with the local regulations on this issue!

The Windmaster 500 is sold as a part of a system. Your system vendor will provide the Windmaster 500 with the appropriate settings for the local electrical grid. Never connect the Windmaster 500 to a utility grid which is not suitable for use with the apparatus!

During installation you can check by means of the LED-indicator whether the installation is done properly. This check can only be carried out when sufficient wind power is present.


Although the Windmaster 500 is protected against wrong polarity, the positive (+) and negative (-) of the wind turbine connections should not be exchanged.

Install the product according to the instructions stated on page 3 and 4.

**Monitoring**

The Windmaster 500 has a communication port that can be connected to the COM-port (RS232) of a PC or laptop. Use the provided “Mastervolt PC–link” interface and cable to set up a connection.

Part number	Description
130391030	PC-link Soladin/Windmaster, incl. communication cable, 2m

 NOTE: Communication is only possible when sufficient wind power is present.

**LED indicator**


The operation mode of the Windmaster 500 is displayed by means of a LED indicator at the front side of the housing. In normal operation it flashes

yellow: the faster the LED blinks yellow, the more power is converted.

If the energy of the wind turbine is insufficient, the Windmaster 500 switches off automatically. When switched off, the LED indicator is off.

**Failures**

As long as the indication LED isn't illuminated red, no failure is detected: the Windmaster 500 is operating normally. If an error occurs, it is detected by the apparatus itself: the LED indicator turns red. Consult the vendor, if you cannot solve the problem by means of the table below.

 NOTE: during low wind turbine voltage detected by the Windmaster 500, indicated by a red blinking LED indicator. This is a normal situation.

LED Indication	Meaning	What to do?
LED is off	Insufficient wind power	Nothing. The Windmaster 500 operates normally, but power coming from the wind turbine is insufficient
LED is off	No power from the wind turbine	Consult an installer if the LED indicator is off while wind power is sufficient. The wiring between the wind turbine and the Windmaster 500 might be defective. Check for loose connections or incorrect polarity.
• • • • • Yellow blinking	Normal operation	Nothing. The Windmaster 500 operates normally. The faster the LED blinks yellow, the more power is converted.
— — — Slow blinking long red pulses	Reclosure time	Nothing. After the Windmaster 500 was (re)connected to the AC grid, it checks the quality of the AC grid before it starts operating normally. This may take up to 5 minutes.
— — — — — Fast blinking long red pulses	Restart time lag	Nothing. A system check is carried out during startup. This may take up to 5 seconds before the Windmaster 500 starts operating normally.
————— Uninterrupted red	No grid voltage	Plug the AC-plug of the Windmaster 500 into the wall socket; check the fuse in the meter cupboard.
• • • • • Red blinking 1 time	Turbine voltage too low	Nothing; normal condition during low wind conditions. Consult an installer if the problem remains while a strong wind conditions exists. Error in the Wind turbine system. Is the wind turbine qualified for use in accordance with Windmaster 500?
• • • • • Red blinking 2 times	Turbine voltage too high	Consult an installer. Error in the installation. Is the wind turbine qualified for use in accordance with Windmaster 500?
• • • • • Red blinking 3 times	AC grid voltage too high	Check the grid connection.
• • • • • Red blinking 4 times	AC grid voltage too low	Check the grid connection.
• • • • • Red blinking 5 times	Grid frequency too high or too low	Check the grid connection.
• • • • • Red blinking 6 times	Internal temperature too high	Air flow of the Windmaster 500 may not be obstructed. If the problem remains, switch off the Windmaster 500 by removing the fuse from the meter cupboard and consult your system vendor.
• • • • • Red blinking 7 times	NTC error	Consult your system vendor for repair of a defective safety device in the Windmaster 500.

**Operation**

After installation the Windmaster 500 will switch on automatically if wind power is sufficient. The Windmaster 500 operates automatically: there is no need for user adjustment or control. The Windmaster 500 has no ON/OFF switch; If necessary remove the fuse from the AC distribution board to switch it off. Do not disconnect the MultiContact plugs during operation of the Windmaster 500! No specific maintenance is required. If necessary, use a soft clean cloth to clean the Windmaster 500. Never use any liquids, acids and/or scourers.

**Decommissioning**

First remove the Fuse from the AC distribution board before you disconnect the MultiContact plugs. Now the Windmaster 500 can be demounted in a safe way:

1. Push on the lower tab of the mounting bracket to release the mounting lock.
2. Lift the Windmaster 500 upwards for approximately 1 cm.
3. Move the Windmaster 500 straight from the wall.

**Warranty and Support**

The inverter is supplied with a 2-year standard product warranty. Other warranty agreements between system vendor and Mastervolt may apply. First line service and support is performed by the system vendor. Defects caused by DC or AC over voltage, out-of-specification short circuit current, direct or induced lightning and surges as well as cost of travel, installation and energy loss are excluded from product warranty.

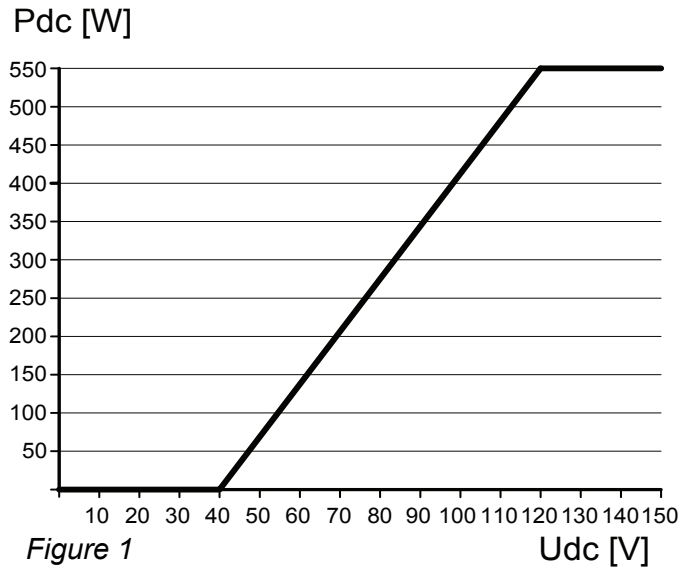
**Liability**

Mastervolt cannot be held liable for:

- Possible errors in this included manual and the consequences of these.
- Use that is inconsistent with the purpose of the product.

**Power Curve**

The Windmaster 500 converts DC power from a wind turbine to the AC grid based. This conversion is based upon a linear curve with a start voltage and a maximum operating voltage (see figure 1). These parameters may be adjusted and optimized by the system vendor for use with a particular wind turbine. When DC voltage reaches the threshold voltage to start up the Windmaster, the inverter starts a 5 seconds countdown before delivering energy to the AC grid.



**Example installation diagram**

See figure 2. This drawing is not specific for any wind turbine or installation. It is provided as a basic reference, showing necessary major components and installation sequence. Please contact your system vendor for detailed installation drawings, specific for you wind turbine.

**DC interface**

The DC interface is for protection of the Windmaster 500, and should provide the following:

- Surge protection (if applicable);
  - Over voltage protection, max. 150VDC (\*);
  - Disconnection switch (if applicable).
- (\* ) Mechanical either electrical OVP may be integrated in the wind turbine

**Grounding**

The Windmaster 500 is a class II device with galvanic isolation between DC and AC. The inverter doesn't need to be grounded. Grounding of the Wind turbine however is recommended.

**Paralleling**

Multiple Windmasters 500 can be operated in parallel to increase output power. The DC side of each Windmaster 500 must be protected by a 10A (slow blow) fuse (refer to figure 2).

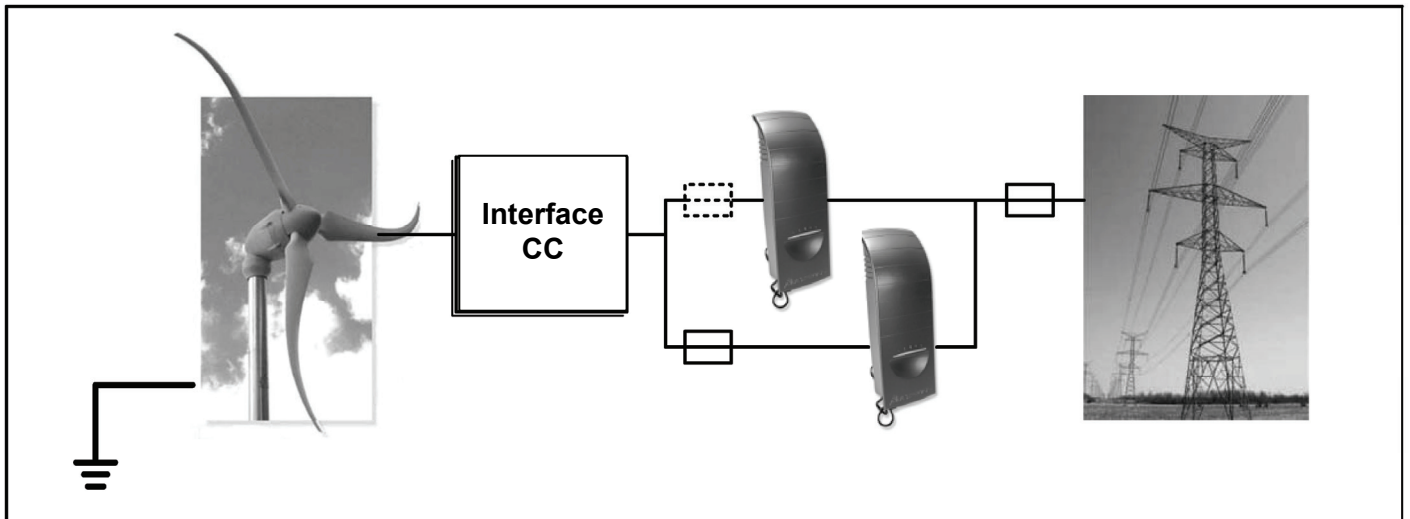


Figure 2



<b>Model</b>	<b>Windmaster 500</b>
Part number:	140000500
Manufacturer:	Mastervolt, Amsterdam, the Netherlands
Operating temperature:	-20°C to 50 °C (full power up to 40 °C)
Storage temperature:	-20°C to 70 °C
Relative humidity:	Max. 95%, non condensing (electronics have anti-moisture coating)
Protection degree:	IP23 (for indoor use)
Safety class:	Class II Double insulated
Galvanic isolation	Class II HF transformer
Dimensions (H x W x D):	365 x 143 x 75 mm (including connectors)
Weight:	Approx. 2 kg.
Enclosure:	UL 5V fire retardant ABS/PC
Mounting	Wall mounting bracket included

<b>Input (DC)</b>	
Nominal power:	550 W DC
Operating voltage range:	35 -150 V DC
Full power voltage range:	65 -125 V DC
Max current:	8 A
Max short current:	12 A
Start-up power:	1 W
Connectors:	MultiContact 4mm type connectors ; adapters are included

<b>Paralleling</b>	Multiple units can be operated in parallel to increase output power The DC-input of each unit must be protected by a 10 A DC (slow blow) fuse
--------------------	--------------------------------------------------------------------------------------------------------------------------------------------------

<b>Output (AC)</b>	
Voltage:	230V (185 V - 264 V)
Nominal power:	525 W
Nominal current:	2,25 A
Fuse:	3,15 A -T
Frequency:	50 Hz (48-52 Hz)
Cos phi:	0,99
Stand-by power:	< 0,05 Wac
Maximum efficiency:	93%
Mains cord:	1,8 meter of AC wire

<b>Safety Functions</b>	
Anti-Islanding	Voltage- and frequency window; frequency shift G83 compliant
Over temperature	Power derating at > 40 °C; switch off at internal over temperature
Polarity	Protected against inverse polarity
Surges	Protected against AC and DC surges caused by indirect lightning strike

<b>User Interface</b>	
Front indicator	Dual color (yellow/red)
Normal operation	Yellow blinking (faster blinking = higher power)
Fault indication	Red flashing (6 different codes)
Communication	PC-Link adapter and cable for RS-232 communication included. PC software downloadable from <a href="http://www.mastervolt.com">www.mastervolt.com</a>

<b>National grid connection regulations</b>	
Approvals:	G83 (GB); NTA 8493 (Netherlands)
Country compatibility	Standard suitable for all 230V / 50 HZ countries. Country specific settings programmable. External ENS may be required for some countries (contact your local distribution network operator for local grid connection requirements)

**Description et application du produit**

Nous vous félicitons d'avoir choisi le Windmaster 500 de Mastervolt. Le Windmaster 500 est un convertisseur pour connexion réseau avec des petites éoliennes. Il est basé sur la même conception que le Soladin 600 Solaire. Le Windmaster 500 est un produit destiné aux 'OEM' et est vendu en tant qu'élément d'un système. Il doit être installé uniquement avec certaines éoliennes. Le système doit être approuvé par Mastervolt.

**Déballage**

La livraison comprend les pièces suivantes :

- Le Windmaster 500 avec support de montage
- Ce manuel d'utilisation
- 2 adaptateurs MultiContact 'Pigtails'
- PC Link Windmaster 500

Après déballage, vérifiez que le Windmaster 500 n'ait pas été abîmé dans le transport. Ne l'utilisez pas s'il est endommagé. En cas de doute, contactez votre fournisseur.

- Ne pas installer le Windmaster 500 dans des environnements avec beaucoup de poussière et d'humidité.
- Si le Windmaster 500 est installé à proximité de lieux de vie, tenez compte du fait qu'il produit un léger bruit lorsqu'il est en fonctionnement.
- Montez le Windmaster 500 verticalement sur un mur solide, sans résonance.
- Montez le Windmaster 500 de manière à éviter l'obstruction des ouvertures de ventilation.
- Aucun objet ne doit être situé à moins de 20 cm du Windmaster 500.
- Plusieurs Windmaster 500 peuvent être montés à côté les uns des autres, mais pas les uns SUR les autres. Espace minimum entre les appareils : 20 cm.

**Ce dont vous avez besoin pour installer le Windmaster 500**

Assurez-vous que vous avez toutes les pièces nécessaires pour installer le Windmaster 500 :

- Le Windmaster 500
- Deux vis pour monter le Windmaster 500. Diamètre maximum : 4.5 mm. Utilisez du matériel de montage pouvant supporter le poids du Windmaster 500.
- Outils pour fixer les vis dans le mur (tournevis, perceuse, crayon).

**Instructions d'installation**

Le Windmaster 500 est équipé d'une sécurité anti-ilôtage. Il s'arrête automatiquement en cas de défaut du réseau. Les pays européens n'ont pas tous les mêmes normes à ce sujet et au sujet de l'alimentation de secours en cas de problème réseau en général.

Dans certains pays un seul Windmaster 500 peut être connecté à un circuit électrique existant, protégé par un fusible de 16A. Dans d'autres pays, différentes restrictions sont appliquées. Renseignez-vous auprès des autorités locales.

Le Windmaster 500 est vendu en tant qu'élément d'un système. Votre fournisseur vous fournira le Windmaster 500 avec les réglages adaptés au réseau. Ne connectez jamais le Windmaster 500 à un réseau non adapté à l'utilisation de l'appareil.

Pendant l'installation vous pouvez vérifier par l'indicateur si tout est fait correctement. Cette vérification ne peut être effectuée que si le vent souffle suffisamment. Bien que le Windmaster 500 soit protégé contre une mauvaise polarité, le positif (+) et le négatif (-) de l'éolienne ne doivent pas être intervertis. Installez le produit selon les instructions sur les pages 3 et 4.



**Sécurité**

Tension entrée max	150 V
Intensité entrée max	8 A
Puissance entrée nom	550 Wcc
Court circuit max	12 A

- Contactez un installateur si le système ne répond pas aux indications ci-dessus. A cause des risques de surtensions, l'installation et les modifications ne doivent être effectuées que par un électricien qualifié et qui connaît les normes en vigueur.
- Installez le Windmaster 500 selon les instructions décrites dans ce manuel.
- Assurez-vous que le Windmaster 500 est déconnecté du réseau pendant l'installation. Vous pouvez pour cela retirer le fusible correspondant sur le tableau de distribution CA.
- Les connexions et les procédures de sécurité doivent respecter les normes en vigueur.
- Le Windmaster 500 doit être utilisé conformément aux spécifications mentionnées page 14.
- N'ouvrez jamais le boîtier à cause des surtensions !

**Choix du lieu d'installation**

Suivez les indications ci-dessous pendant l'installation:

- Le Windmaster 500 doit être installé à l'intérieur uniquement.
- Température ambiante : de -20 à 50°C (diminution de puissance au-dessus de 40°C), humidité : 0-90% sans condensation.
- Choisissez un endroit optimal pour l'installation afin de réduire la longueur des câbles CC et CA et de minimiser ainsi les pertes.

### Monitoring

Le Windmaster 500 est muni d'un port de communication qui peut être connecté au port COM (RS232) d'un PC ou ordinateur portable. Utilisez l'interface Mastervolt PC link et le câble pour effectuer la connexion.

Référence	Désignation
130391030	PC Link Soladin/Windmaster avec câble de communication 2m

 NOTE: la communication n'est possible que lorsque le vent souffle suffisamment fort.

### Voyant indicateur


Le mode fonctionnement du Windmaster 500 est affiché par un voyant sur la face avant du boîtier. En fonctionnement normal, il clignote en jaune : plus

vite le voyant clignote, et puis il y a de puissance convertie.

Si l'énergie de l'éolienne est insuffisante, le Windmaster 500 s'arrête automatiquement. Lorsqu'il est arrêté, le voyant est éteint.

### Erreurs

Tant que le voyant n'est pas allumé en rouge, aucune erreur n'est détectée : le Windmaster 500 fonctionne normalement. Si une erreur se produit, elle est détectée par l'appareil : le voyant s'allume en rouge. Si vous ne parvenez pas à régler le problème à l'aide du tableau ci-dessous, consultez votre fournisseur.

 NOTE: en cas de vent faible, la tension est détectée par le Windmaster 500 et le voyant clignote en rouge. Ceci est une situation normale.

Indication voyant	Signification	Que faire?
Led éteint	Pas assez de vent	Rien. Le Windmaster 500 fonctionne normalement, mais la puissance de l'éolienne est insuffisante.
Led éteint	L'éolienne ne produit pas	Consultez un installateur si le voyant est éteint alors que le vent souffle suffisamment. Le câblage entre l'éolienne et le Windmaster 500 est peut être défectueux. Vérifiez les connexions ou inversion de polarité.
• • • • • Clignote jaune	Fonctionnement normal	Rien. Le Windmaster 500 fonctionne normalement. Plus vite le voyant clignote, plus de puissance est convertie.
— — — Pulsations rouges clignotant lentement	Temps de redémarrage	Rien. Après que le Windmaster 500 ait été reconnecté au réseau CA, il vérifie la qualité du réseau CA avant de se remettre à fonctionner normalement. Cela peut prendre environ 5 minutes.
— — — — — Pulsations rouges clignotant rapidement	Délai de redémarrage	Rien. Une vérification de système est effectuée au moment du démarrage. Cela peut prendre 5 secondes, avant que le Windmaster fonctionne à nouveau normalement.
— — — — — Rouge ininterrompu	Pas de tension réseau	Connectez la prise CA du Windmaster 500 au mur, vérifiez le fusible sur le tableau.
• • • • • Clignote rouge 1 fois	Tension éolienne trop basse	Rien; conditions normales s'il y a peu de vent. Consultez un installateur si le problème persiste alors que le vent souffle fort. Problème avec l'éolienne. Est-elle adaptée à une utilisation avec le Windmaster 500?
• • • • • Clignote rouge 2 fois	Tension éolienne trop haute	Consultez un installateur. Problème d'installation. L'éolienne est-elle adaptée à une utilisation avec le Windmaster 500?
• • • • • Clignote rouge 3 fois	Tension réseau CA trop haute	Vérifier la connexion réseau.
• • • • • Clignote rouge 4 fois	Tension réseau CA trop basse	Vérifier la connexion réseau.
• • • • • Clignote rouge 5 fois	Fréquence réseau trop haute ou trop basse	Vérifier la connexion réseau.
• • • • • Clignote rouge 6 fois	Température interne trop haute	Les ventilations du Windmaster 500 sont peut être obstruées. Si le problème persiste, arrêter le Windmaster 500 en retirant le fusible du tableau et contactez votre fournisseur.
• • • • • Clignote rouge 7 fois	Erreur NTC	Consultez votre fournisseur pour une réparation.

### Fonctionnement

Après installation le Windmaster 500 se met en route automatiquement si le vent souffle suffisamment fort. Le Windmaster 500 fonctionne automatiquement : pas besoin d'ajustement ou de monitoring. Le Windmaster 500 n'a pas de bouton marche/arrêt ; si nécessaire, retirez le fusible du tableau de distribution CA pour l'arrêter. Ne déconnectez pas les prises MultiContact pendant le fonctionnement du Windmaster 500 ! Aucun entretien spécifique n'est requis. Si nécessaire, utiliser un chiffon propre pour le nettoyer. N'utilisez jamais de liquides, d'acides et/ou de produits à récurer.

### Démontage

Retirez d'abord le fusible du tableau de distribution CA avant de déconnecter les prises MultiContacts. Le Windmaster 500 peut maintenant être démonté :

1. Appuyez sur la patte en bas du support de montage pour le déverrouiller.
2. Lever le Windmaster 500 d'environ 1 cm.
3. Retirer le Windmaster 500 du mur.

### Garantie et support

Le convertisseur est fourni avec une garantie de deux ans. D'autres accords entre le fournisseur et Mastervolt peuvent s'appliquer. Le premier support technique est effectué par le fournisseur du système. Les défauts causés par une surtension CA ou CC, un court circuit hors spécifications, des pics de tension ou la foudre, des frais de déplacement, d'installation ou des pertes de puissance ne sont pas couverts par la garantie.

### Responsabilité

Mastervolt ne peut être tenue pour responsable pour :

- De possibles erreurs contenues dans ce manuel et leurs conséquences.
- Une utilisation du produit non conforme aux spécifications.

### Courbe de puissance

Le Windmaster 500 convertit la puissance CC d'une éolienne vers le réseau CA. Cette conversion est basée sur une courbe linéaire avec une tension de démarrage et une tension de fonctionnement maximum (voir schéma 1). Ces paramètres peuvent être ajustés et optimisés par le fournisseur du système pour une utilisation avec une éolienne en particulier. Lorsque la tension CC atteint la tension seuil pour démarrer le Windmaster, celui-ci démarre un compte à rebours de 5 secondes avant de fournir l'énergie au réseau.

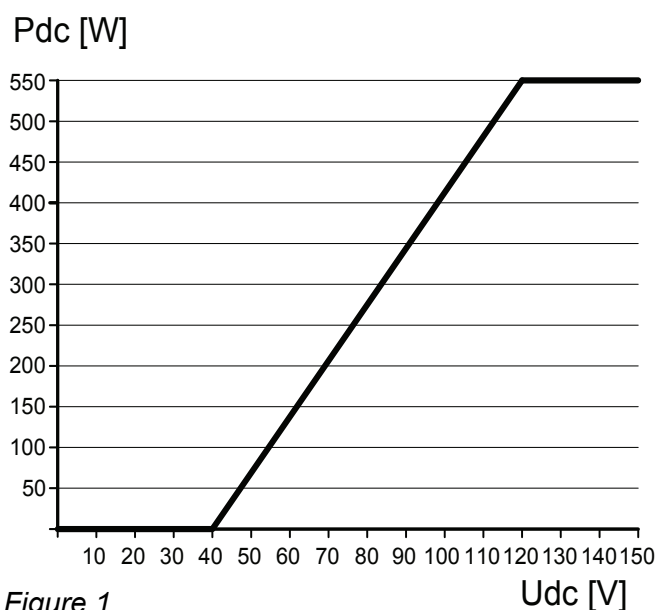


Figure 1

### Exemple d'installation

Voir schéma 2. Ce schéma n'est pas spécifique à une éolienne ou une installation précise. Il est fourni comme référence de base, indiquant les principaux éléments nécessaires et la séquence d'installation. Contactez votre fournisseur pour des schémas d'installation spécifiques à votre éolienne.

**Interface CC**

L'interface CC est là pour protéger le Windmaster 500, et devrait fournir ce qui suit :

- Protection contre les pics de tension ;
- Protection contre les surtensions, max 150VCC (\*) ;
- Interrupteur de déconnexion (si applicable).

(\*) Protection mécanique ou électrique contre des surtensions peut être intégrée dans l'éolienne.

**Mise à la terre**

Le Windmaster 500 est un appareil de classe II avec une isolation galvanique entre le CC et le CA. Le convertisseur n'a pas besoin d'une mise à la terre. La mise à la terre de l'éolienne est cependant recommandée.

**Installation en parallèle**

Plusieurs Windmaster 500 peuvent fonctionner en parallèle afin d'augmenter la puissance. Le côté CC de chaque Windmaster 500 doit être protégé par un fusible de 10A (voir schéma 2).

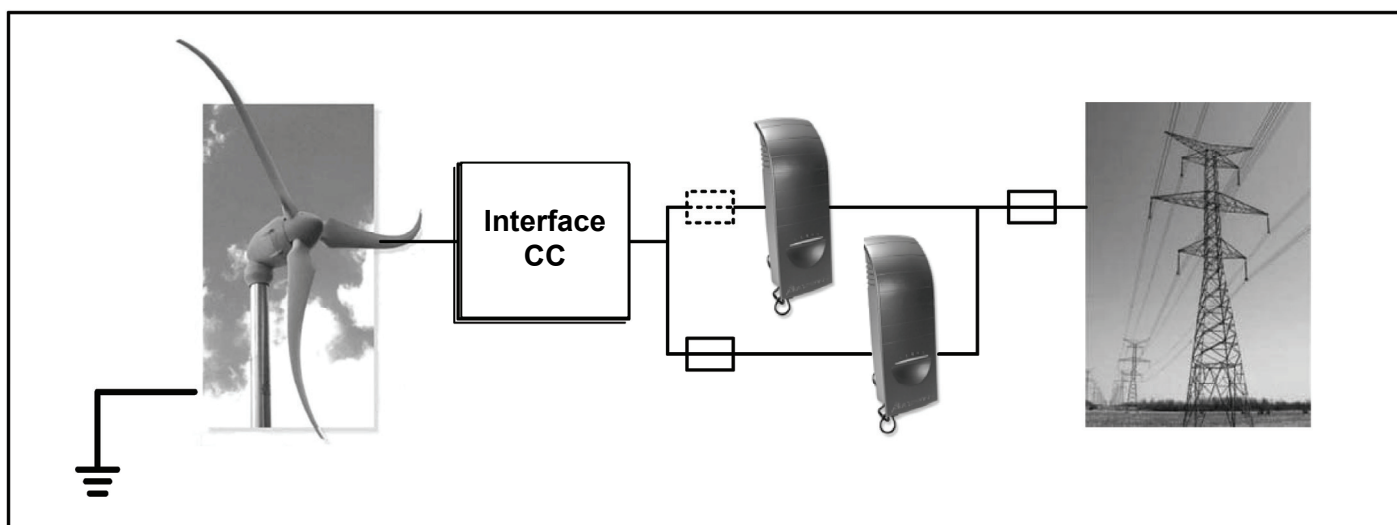
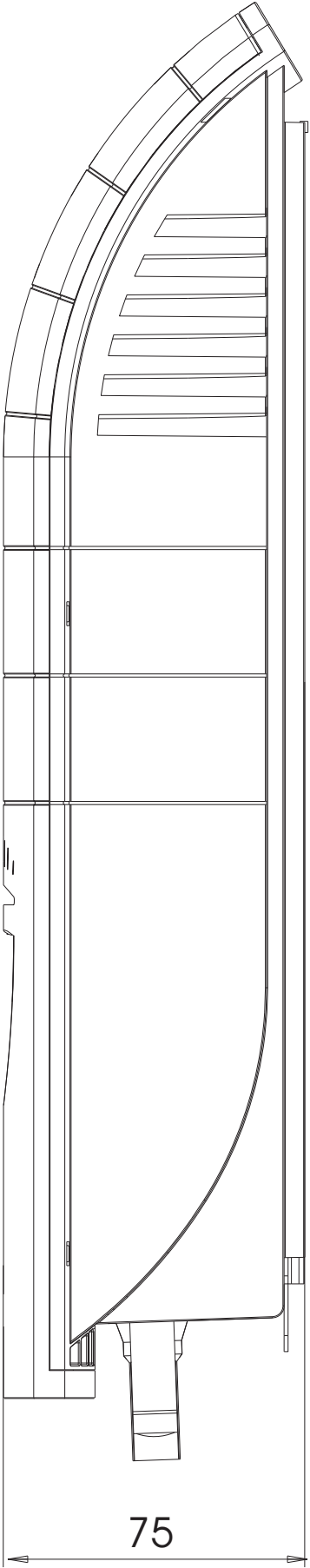
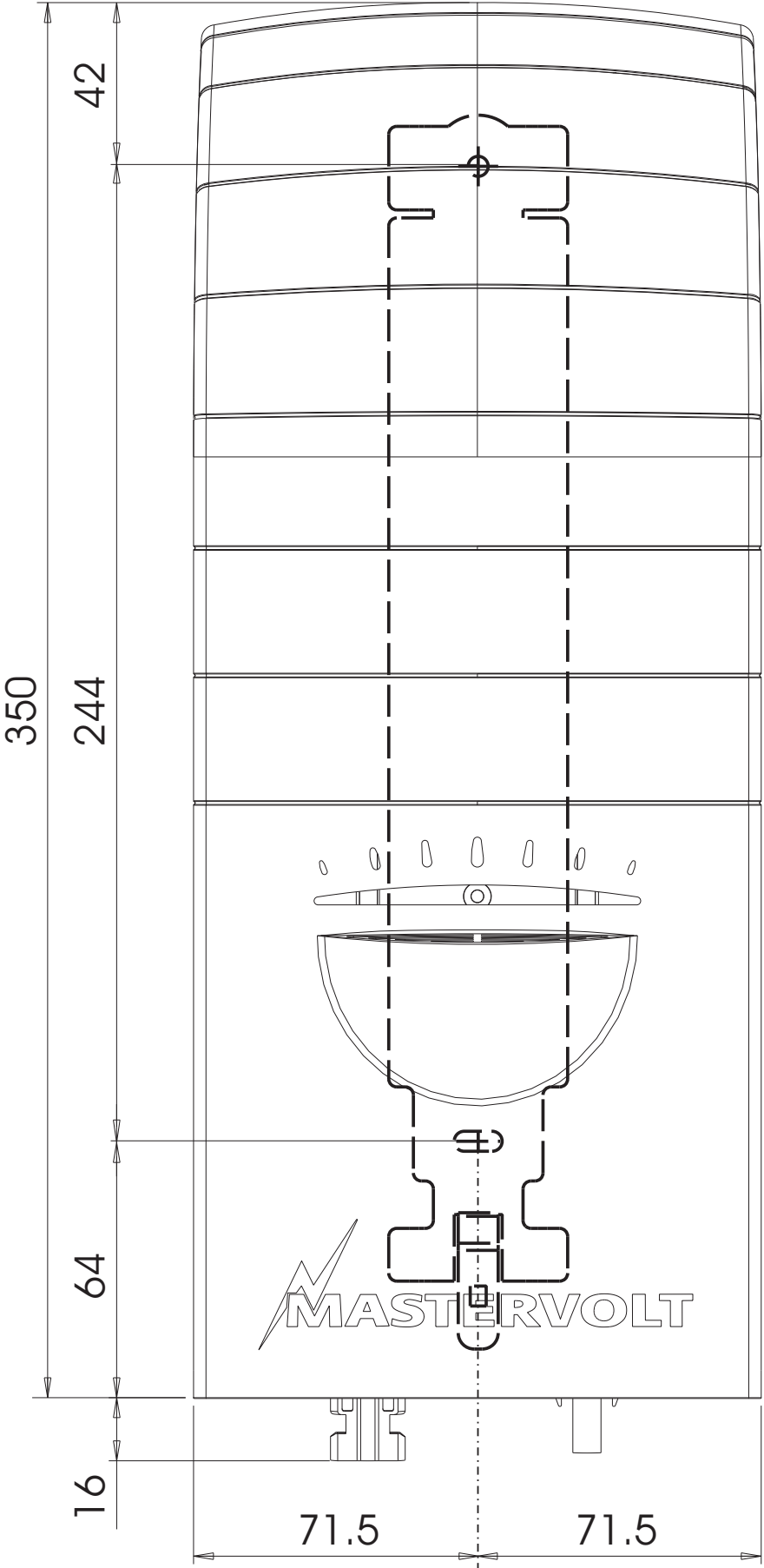


Figure 2

<b>Modèle</b>	<b>Windmaster 500</b>
Référence	140000500
Fabricant	Mastervolt, Amsterdam, Pays-Bas
Température de fonction.	-20°C à 50 °C (pleine puissance jusqu'à 40 °C)
Température de stockage	-20°C à 70 °C
Humidité relative	Max 95%, sans condensation (les composants électroniques sont recouverts d'un vernis anti-moisissure)
Degré de protection	IP23 (pour utilisation à l'intérieur)
Classe de sécurité	Classe II double isolation
Isolation galvanique	Classe II transformateur HF
Dimensions (hxlxp)	365 x 143 x 75 mm, connecteurs inclus
Poids	Environ 2 kg
Boîtier	UL 5V retardant le feu ABS/PC
Montage	Au mur avec le support
<b>Entrée (CC)</b>	
Puissance nominale	550 WCC
Gamme de tension de fonctionnement	35-150 VCC
Gamme de tension pleine puissance	65-125 VCC
Intensité max	8 A
Intensité court circuit	12 A
Puissance démarrage	1 W
Connecteurs	MultiContact 4 mm ; adaptateurs inclus
<b>Mise en parallèle</b>	Plusieurs unités peuvent fonctionner en parallèle pour augmenter la puissance. L'entrée CC de chaque unité peut être protégée par un fusible 10A CC.
<b>Sortie (CA)</b>	
Tension	230V (185 V - 264 V)
Puissance nominale	525 W
Intensité nominale	2.25 A
Fusible	3.15A –T
Fréquence	50 Hz (48-52 Hz)
Cos phi	0.99
Puissance stand by	< 0.05 Wca
Rendement max	93%
Cordon réseau	1.8 m de câble CA
<b>Fonctions sécurité</b>	
Anti ilôtage	Gamme de tension et fréquence ; conforme à la norme G83
Température élevée	Diminution de puissance >40°C ; arrêt en cas de température interne trop élevée
Polarité	Protégé contre les inversions de polarité
Crêtes	Protégé contre les crêtes CA et CC causé par des coups de foudre indirects
<b>Interface utilisateur</b>	
Indicateur face avant	Bicolore (jaune/vert)
Fonctionnement normal	Clignote jaune (clignotement rapide=puissance plus élevée)
Indication d'erreur	Clignote rouge (6 codes différents)
Communication	Adaptateur PC Link et câble de communication RS232 inclus. Logiciel PC téléchargeable sur <a href="http://www.mastervolt.fr">www.mastervolt.fr</a>
<b>Normes de connexion réseau</b>	
Conformité	G83 (GB) ; NTA 8493 (Pays-Bas)
Compatibilité pays	S'adapte à tous les pays en 230V / 50Hz. Des réglages spécifiques sont nécessaires pour certains pays. Carte ENS externe nécessaire pour certains pays (contactez votre distributeur pour la connexion au réseau local).

DIMENSIONS



# EC DECLARATION OF CONFORMITY

Manufacturer: Mastervolt

Address: Snijdersbergweg 93  
1105 AN Amsterdam  
The Netherlands



Herewith declares that:

Product: Windmaster 500

Is CE-marked and complies with the following standards:

EMC directive 89/336/EEC  
Environment: residential, commercial and light industrial

## Emission

Emission - class B: EN 55022: 1998  
harmonic current emission: EN 61000-3-2: 2000

## Immunity

Generic immunity standard: EN 61000-6-2: 2001  
Electrostatic discharge (ESD): EN 61000-4-2: 1995  
Radiated EMC: EN 61000-4-3: 1996  
Electrical fast transients (EFT) : EN 61000-4-4: 1995  
Surge transient : EN 61000-4-5: 1995  
Conducted RF disturbances : EN 61000-4-6: 1996  
Voltage dips and short interrupts : EN 61000-4-11: 1994  
Digital radio telephones : ENV 50204: 1995

## Safety

Low voltage directive 2006/95/EC, with standard:  
Low voltage standard: EN 60950: 2000

Amsterdam,

A large, bold, black handwritten signature, likely belonging to P.F. Kenninck, is written over the signature line.

P.F. Kenninck,  
General Manager MASTERVOLT

The Mastervolt logo features a stylized lightning bolt icon to the left of the word 'MASTERVOLT' in a bold, black, sans-serif font.

# MASTERVOLT

© Mastervolt BV, Snijdersbergweg 93, 1105 AN Amsterdam, Netherlands  
Tel: + 31-20-3422100 Fax: + 31-20-6971006 Email: [info@mastervolt.com](mailto:info@mastervolt.com)